

Shop-floor Type CNC Coordinate Measuring Machine MiSTAR 555

Operable Adjacent to a Machine Tool on the Production Line

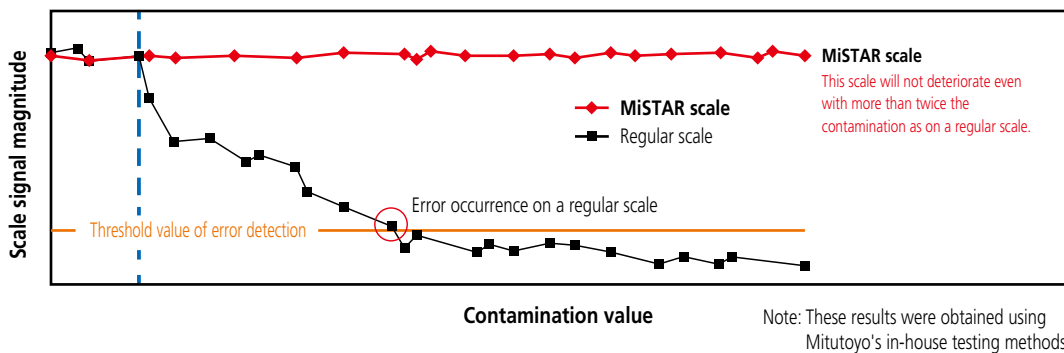


Coordinate Measuring Machines



Highly Environment-resistant Coordinate Measuring Machine, Allowing On-site Inspection outside the Measuring Room

- Has achieved an accuracy guaranteed temperature range of 10 to 40°C thanks to the combination of technologies such as a symmetric structure, uniform material and temperature compensation.
- Has achieved a contamination resistance more than 2 times better than Mitutoyo's conventional machine by adopting a newly developed absolute scale* that is highly resistant to the challenging production-line environment.
 - * A scale scale that provides an absolute value for each measurement point. This eliminates the need for an initialization operation.
- Adopts the horizontal-arm structure and installs the CMM controller and PC under the measuring table to save installation space. This has reduced the footprint to about 70% compared with that of the conventional moving bridge model.



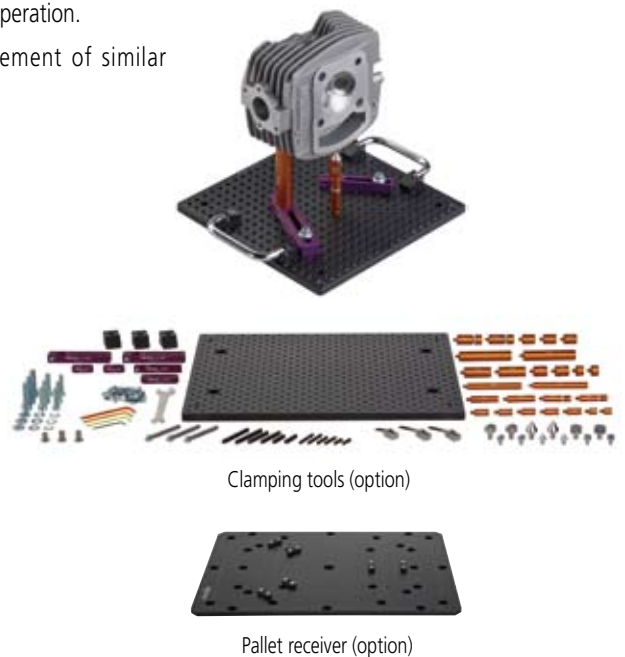
User-friendly Design Reduces Operator's Workload

- The adoption of the horizontal-arm structure provides a three-sided open architecture, significantly easing the task of moving workpieces on and off the measuring table.
- Equipped as standard with Quick Launcher that enables simple and intuitive operation.
- The use of clamping tools and pallet receiver enables quick measurement of similar workpieces.

Note: Clamping tools and the pallet receiver are optional accessories.



Quick Launcher



New Functionality has the "Smart Factory" in View

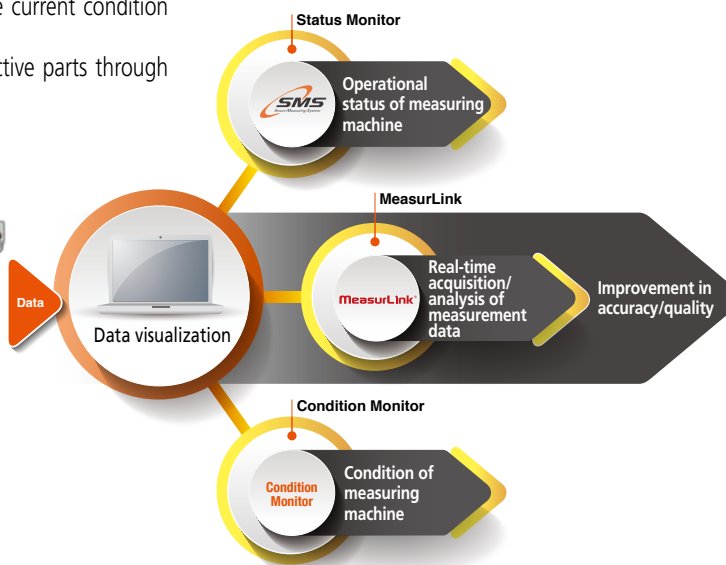
- From status control to preventive maintenance. Smart Factory starts with "visualization".
- MISTAR 555 is compatible with the following three applications that consolidate information management of the manufacturing process through a network.

Status Monitor: Allows remote monitoring of the operational status of measuring instruments.

Condition Monitor*1: Allows remote monitoring of the current condition of measuring instruments.

MeasurLink*1: Reduces the production of defective parts through "Visualizing Quality".

*1: Optional



SMS (Smart Measuring System)

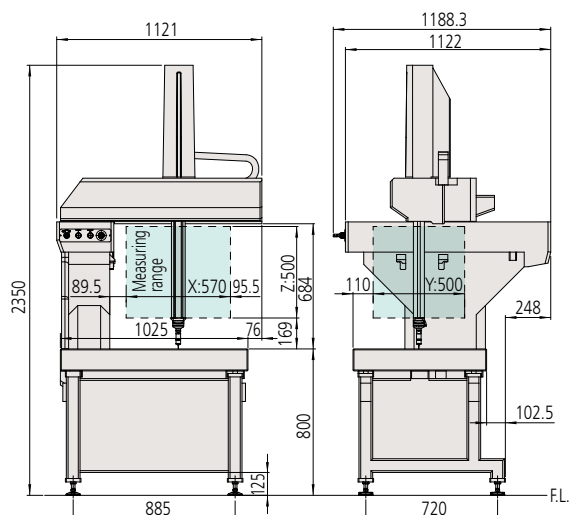
This system allows on-line monitoring of the operational status of a measuring machine and visualization of measurement data produced during the manufacturing process to enable product quality improvement.

SPECIFICATIONS

		MiSTAR 555
Measuring range	X	570 mm
	Y	500 mm
	Z	500 mm
Max. Permissible Length Measurement Error (ISO 10360-2: 2009)		$(2.2+3L/1000) \mu\text{m}^{*2}$ L: Measured length (unit: mm)
Drive speed		5 - 350 mm/s (max. combined speed 606 mm/s) in CNC MODE
Drive acceleration		1556 mm/s ² (max. combined acceleration 2695 mm/s ²)
Measuring table capacity	Maximum workpiece height	660 mm
	Maximum loading	120 kg
Accuracy guaranteed temperature		10 °C - 40 °C
Mass (including the control device and installation platform)		655 kg

*2: Specifications vary by configuration and thermal environment.

DIMENSIONS (unit: mm)



Equipped with the PH6M probe head



Equipped with the PH10MQ probe head



Whatever your challenges are, Mitutoyo supports you from start to finish.

Mitutoyo is not only a manufacturer of top quality measuring products but one that also offers qualified support for the lifetime of the equipment, backed up by comprehensive services that ensure your staff can make the very best use of the investment.

Apart from the basics of calibration and repair, Mitutoyo offers product and metrology training, as well as IT support for the sophisticated software used in modern measuring technology. We can also design, build, test and deliver bespoke measuring solutions and even, if deemed cost-effective, take your critical measurement challenges in-house on a sub-contract basis.



Find additional product literature
and our product catalogue

<http://www.mitutoyo.co.jp/global.html>

**Our products are classified as regulated items under Japanese Foreign Exchange and Foreign Trade Law. Please consult us in advance if you wish to export our products to any other country.
If the purchased product is exported, even though it is not a regulated item (Catch-All controls item), the customer service available for that product may be affected. If you have any questions, please consult your local Mitutoyo sales office.**

Note: Product illustrations are without obligation. Product descriptions, in particular any and all technical specifications, are only binding when explicitly agreed upon.
MITUTOYO and MICAT are either registered trademarks or trademarks of Mitutoyo Corp. in Japan and/or other countries/regions.
Other product, company and brand names mentioned herein are for identification purposes only and may be the trademarks of their respective holders.

Mitutoyo

Mitutoyo Corporation

20-1, Sakado 1-Chome,
Takatsu-ku, Kawasaki-shi,
Kanagawa 213-8533, Japan
T +81 (0) 44 813-8230
F +81 (0) 44 813-8231
<http://www.mitutoyo.co.jp>